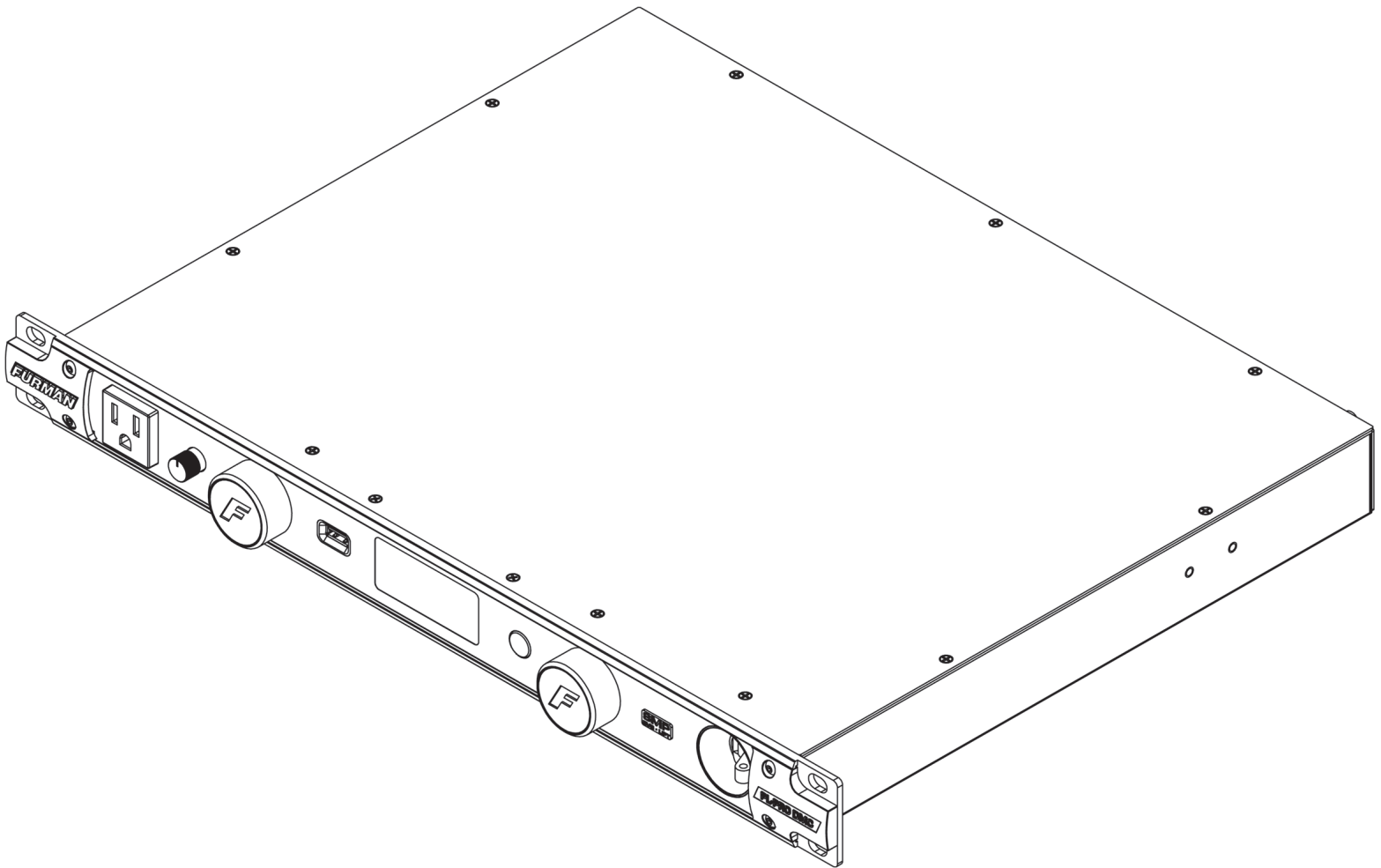


FURMAN[®]

PL-PRO DMC POWER CONDITIONER

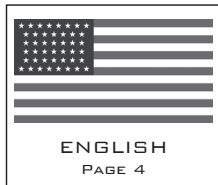
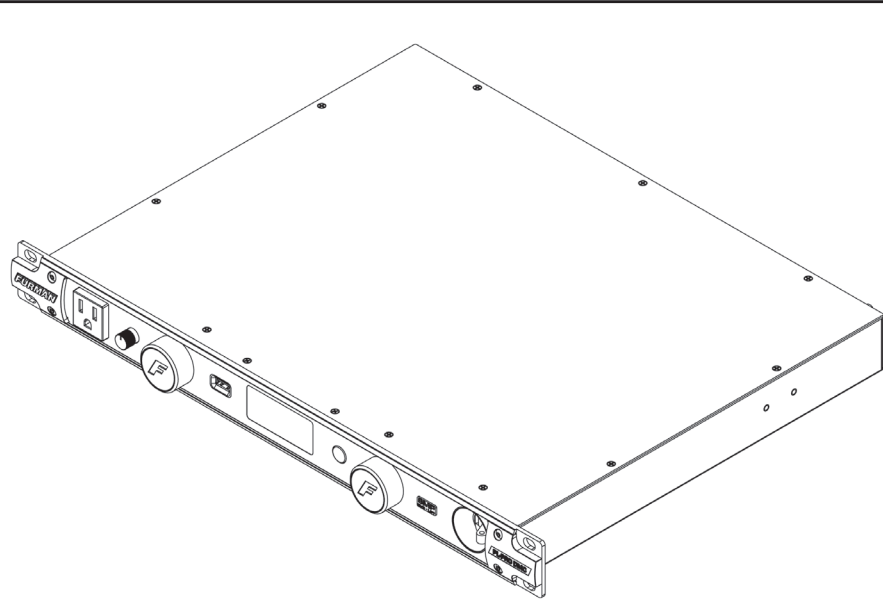
CONDITIONNEUR D'ALIMENTATION PL-PRO DMC / PL-PRO DMC ACONDICIONADOR DE ENERGÍA



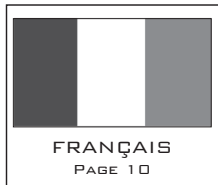
CLASSIC SERIES OWNER'S MANUAL

SÉRIE CLASSIQUE GUIDE DE L'UTILISATEUR / SERIE CLÁSICA MANUAL DEL PROPIETARIO

FURMAN®



PL-PRO DMC OWNER'S MANUAL



PL-PRO DMC GUIDE DE L'UTILISATEUR



PL-PRO DMC MANUAL DEL
PROPIETARIO

FURMAN'S PL-PRO DMC FEATURES

- **SMP** (Series Multi-Stage Protection) with **EVS** (Extreme Voltage Shutdown)
- **LiFT** (Linear Filtering Technology) with zero ground contamination
- Switchable/Dimmable true RMS current and laboratory precise digital voltage meter
- Front panel mounted USB charger
- Two **Smooth Track** retractable, long-life, low-heat, front panel LED lights with dimmer-power switch for rack illumination
- BNC connector on the rear panel accepts any standard (12VAC 0.5 amp) gooseneck lamp to illuminate the rear of your rack (Furman GN-I and GN-LED accessory gooseneck lamps are best for this application)
- Eight rear panel AC outlets (three with wide spacing and hook and loop straps to accommodate and secure transformers - wall warts)
- One front panel convenience outlet
- 20 amp (2400 watt)
- Five year limited warranty

INTRODUCTION

Thank you for purchasing a Furman Classic Series power conditioner, and congratulations on your choice. Classic Series power conditioners feature Furman's revolutionary Series Multi-Stage Protection (**SMP**) circuit, Extreme Voltage Shutdown (**EVS**), and our exclusive Linear Filtering Technology (**LiFT**). Together, these technologies comprise precisely what our customers have come to expect from Furman - uncompromised AC protection and purification. Our Classic Series has been precisely engineered to exceed the critical demands of audio/video professionals, contractors, broadcasters, and musicians alike.

SMP (SERIES MULTI-STAGE PROTECTION)

Furman's SMP surge suppression virtually eliminates service calls and costly "down time". Traditional surge suppression circuits sacrifice themselves when exposed to multiple transient voltage spikes, requiring the dismantling of your system and repair of your surge suppressor. Not so with Furman's SMP. Damaging transient voltages are safely absorbed, clamped, and dissipated. Your connected equipment is protected, while your Furman protects itself!

Unique to Furman's SMP is its unparalleled clamping voltage, defined as the amount of voltage that is allowed to pass through to your equipment when the protection device is subjected to a transient surge or spike. While other designs offer clamping voltages that are well above 330 Vpk, Furman's SMP clamps at 188 Vpk, (133 VAC RMS) even when tested with multiple 6000 Vpk - 3000 amp surges! This unprecedented level of protection is only available with Furman's SMP technology.

EVS (EXTREME VOLTAGE SHUTDOWN)

Furman's trusted over-voltage (EVS) circuitry protects against prolonged overvoltage conditions, such as accidental connections to 208 or 240 VAC, or an intermittent neutral. It does so by monitoring the incoming voltage and, when an unsafe condition is detected, triggering a relay which shuts off the incoming power until the overvoltage condition is corrected and the power switch is reset.

LiFT (LINEAR FILTERING TECHNOLOGY)

Unfortunately, traditional AC power conditioners have been designed for unrealistic laboratory conditions. Prior technologies, whether multiple-pole or conventional series-mode filters, could actually harm audio and video performance more than they help, due to the resonant peaking of their antiquated, non-linear designs. Under certain conditions, these designs can actually add more than 10 dB of noise to the incoming AC line! Worse still, lost digital data, the need to reboot digital presets, or destruction of sensitive digital converters are frequently caused by excessive voltage spikes and AC noise contaminating the equipment ground. Furman's LiFT takes a different approach, ensuring optimal performance through linear AC noise filtering with no ground contamination.

PL-PRO DMC ADDITIONAL FEATURES

The PL-PRO DMC features **Smooth Track** LED rack lights which produce virtually no heat and provide an extremely long lifespan. A dimmer control for the rack lights allows the user to adjust the level of illumination (by rotating clockwise/counterclockwise) or switch the lamps on and off (by pushing the knob in). A rear mounted BNC jack accepts any standard (12VAC 0.5 amp) gooseneck lamp for rear rack illumination.

The PL-PRO DMC is equipped with a front panel convenience AC outlet and eight rear panel outlets in two isolated banks. The outlets in Bank A are spaced to accommodate transformer plugs (wall warts) which may be secured with the included hook and loop straps.

Since the banks are isolated from each other, it is recommended to connect analog equipment into Bank A and digital equipment into Bank B (or vice versa). The PL-PRO C's 20 amp (2400 watt) capacity is supplied from a robust 12 AWG, 10 foot AC cord.

Additionally, the PL-PRO DMC offers a switchable laboratory precision digital meter that displays incoming voltage in 1-volt steps or true RMS current in 0.1 amp steps. The voltmeter's accuracy is ± 1.5 volts and features a tri-color voltage range indicator. This informs the user whether voltage is in or out of a safe range, even from a distance too great to accurately read the displayed voltage.

SAFETY INFORMATION

To obtain best results from your Furman Classic Series power conditioner, please read this manual carefully before using.

WARNING

To reduce the risk of electrical shock, do not expose this equipment to rain or moisture. Dangerous high voltages are present inside the enclosure. Do not remove the cover. Refer servicing to qualified personnel only. The lightning flash with an arrowhead symbol is intended to alert the user to the presence of uninsulated dangerous voltage within the product's enclosure that may be of sufficient magnitude to constitute a risk of electric shock.

IMPORTANT SAFETY INSTRUCTIONS

(Please read prior to installation)

1. Please read and observe all safety and operating instructions before installing your Furman Classic Series power conditioner. Retain these instructions for future reference.
2. Your Classic Series conditioner should not be used near water – for example, near a bathtub, washbowl, kitchen sink, laundry tub, in a wet basement, or near a swimming pool.
3. Do not place your Classic Series conditioner near high heat sources such as radiators, heat registers, stoves, or other appliances that produce extreme heat.
4. The Furman PL-PRO DMC should only be connected to a 120 VAC, 50Hz/60Hz, 20 amp grounded electrical outlet. Do not defeat the ground or change polarization of the power plug.
5. Route the AC power cord and other cables so that they are not likely to be walked on, tripped over, or stressed. Pay particular attention to the condition of the cords and cables at the plugs and at the point where they exit your Furman conditioner. To prevent risk of fire or injury, damaged cords and cables should be replaced immediately.
6. Clean your Furman conditioner with a damp cloth only. Do not use solvents or abrasive cleaners. Never pour liquid on or into the unit.
7. Your Furman conditioner should be serviced by qualified service personnel when:
 - *The power supply cord or the plug has been frayed, kinked, or cut.*
 - *Objects have fallen or liquid has been spilled into the unit.*
 - *The unit has been exposed to rain or extreme moisture.*
 - *The unit does not appear to operate normally.*
 - *The "Protection OK" indicator is not lit.*
 - *The unit has been dropped, or the enclosure has been damaged.*
 - *The retractable LED lights have failed.*
8. Your Furman conditioner requires that a safety ground be present for proper operation. Any attempt to operate the unit without a safety ground is considered improper operation and could invalidate the warranty.
9. Do not attempt to service your Furman conditioner beyond what is described in this manual. All other servicing should be referred to qualified service personnel.

OPERATION

RETRACTABLE SMOOTH TRACK RACK LIGHTS, REAR PANEL LAMP AND DIMMER CONTROL:

The Furman Classic Series power conditioners utilize a dimmer control for the two retractable Smooth Track light tubes. The dimmer knob controls the brightness of both front panel lamps. Turn it clockwise to increase brightness; turn it counterclockwise to decrease brightness. The knob is also a momentary power switch for the lamps: push it in to turn the lamps on or off. When the

lamps are not in use, we recommend turning the dimmer fully counterclockwise, or pushing the knob to the off setting to maximize the life of the LED's. Whether the light tubes are fully extended or flush with the front panel, there will be no appreciable heat regardless of the dimmer setting due to the efficiency of our full light spectrum LED's.

All Furman Classic Series Conditioners feature a rear rack BNC socket which will accept any 12 VAC (0.5A) gooseneck lamp assembly (such as the Furman GN-LED or GN-I). Simply slide the BNC plug over the socket and rotate clockwise until the connector snaps into the locked position. The rear rack lamp can be powered on or off with the rear light switch which is adjacent to the BNC connector.

ULTRA-LOW RESISTANCE MAGNETIC POWER SWITCH / CIRCUIT BREAKER:

Furman's Classic Series 20 amp capacity power switch is specifically designed to stand up to the enormous high in-rush current demands of many power amplifiers. Additionally, Furman magnetic circuit breakers are not sensitive to temperature, and will not raise the AC impedance as do many, less costly thermal breaker. If the 20 amp RMS current capacity of the PL-PRO C is exceeded, the spring tensioned-switch will immediately switch to the off position. You will need to switch the toggle back to the on position once the problem is corrected (typically by eliminating one component, or until the RMS current does not exceed 20 amps or 2400 watts).

EXTREME VOLTAGE SHUTDOWN (EVS) INDICATOR:

The Extreme Voltage LED indicator is normally off. It is located within the meter lens assembly directly above the blue voltage / current LED's, though during normal use it will NOT be visible.

The Extreme Voltage indicator monitors a hazard common in the entertainment, remote broadcast, and AV contractor industries: wiring faults. For example: accidental connection to 208VAC where 120VAC is expected, or an open series neutral from a 208 to 240VAC electrical service. The Furman EVS circuit senses voltages that are so high that operation would be impossible and shuts the power down before damage can occur.

Upon initially applying power to these units, the Extreme Voltage indicator will light and a red "Extreme Voltage" label will appear at the top of the meter lens if the input voltage is above the extreme voltage cutoff.

NOTE: If the mains power is above the high cutoff voltage and has caused the EVS circuit to remove power from the PL-PRO DMC's outlets, it cannot restore power without the operator manually turning the unit off, then on again. Avoid turning the unit back on without first checking the source of the problem and changing the AC source (if necessary).

PROTECTION OK INDICATOR:

Although the Furman SMP circuit assures virtually maintenance-free protection from transient voltage spikes and surges, nature has a way of occasionally creating electrical forces that are beyond the capabilities of ANY surge suppression device to absorb without some degree of damage (such as a direct lightning hit in an outdoor application). In the rare instance that this occurs, the green "Protection OK" LED indicator, located at the bottom right of the meter lens assembly, will dim. If this happens, some level of protection from voltage surges will remain, but the PL-PRO DMC's clamping voltage rating will be compromised and the unit must be returned to Furman for service.

NOTE: Furman's Classic Series power conditioners do not compensate for high or low AC line voltage. If you frequently move your rack to different locations, derive power from generators, use very long extension cords, travel internationally, or are in an area prone to brownouts, you may benefit from the use of one of Furman's AC Voltage Regulators.

SWITCHABLE DIGITAL VOLTAGE AND TRUE RMS CURRENT METER:

Furman's laboratory precision AC digital voltmeter continually measures incoming voltages within a typical tolerance of +/-1.5VAC. It should be noted that the voltage reading is incoming.

Furman's laboratory precision True RMS digital current meter continually measures the total circuit AC load, within a typical tolerance of +/- 0.5 amp. Because these meters feature true RMS technology, the current readings are accurate regardless of load conditions (capacitive, inductive, or resistive). To switch between voltage and current, press the button labeled "Line Voltage/Current". Hold this button down for two seconds to dim the brightness of the display.

VOLTAGE RANGE INDICATOR:

This indicator is located in the lower left corner of the digital volt / amp meter lens assembly. When AC voltage is within 5 volts (+/-) of a nominal 120VAC source, this tri-color indicator will be green (optimal). However, if the voltage is between 110 to 114VAC or between 126 to 130VAC, the indicator will turn amber (caution - not optimal). If the incoming voltage is in an extreme range (below 110 or above 130), the indicator will turn red. This range is far from optimal, and may be potentially damaging to some equipment.

USB CHARGER:

The Furman PL-PRO C's USB charger provides an easy way to recharge many popular electronic accessories as well as cellular com-

munication devices by simply plugging the re-charge cord into the front panel socket. Please note that as there are currently many standards for USB, some devices may not be compatible with our charger.

TRANSFORMER PLUG (WALL WART) SECURING LOOPS:

Your 20 amp Furman Classic Pro Series conditioner features rear panel AC outlets that are widely spaced for plug transformers (wall warts). Additionally, these may be secured for transport with hook and loop straps (included). Each outlet has threaded screw holes on either side to accommodate the hook and loop straps.

TROUBLESHOOTING

1.) Symptom: No power to the AC outlets.

Possible Cause: The circuit breaker (located on the front panel) has tripped due to excessive load.

Action Needed: Unplug one piece of equipment from the Furman conditioner and manually turn the unit off, then on again.

2.) Symptom: No power to the AC outlets, “Protection OK” indicator is not lit.

Possible Cause: Either the AC outlet to which your Furman conditioner is connected has no AC voltage present, or the protection circuitry in your unit has been compromised.

Action Needed: Plug the Furman conditioner into an AC receptacle where a nominal 120 VAC is present. If the problem persists, contact Furman for service.

3.) Symptom: Extreme Voltage (EVS) indicator lit.

Possible Cause: Input voltage is above 140V causing power to the unit’s outlets to be shut down. Additionally, if the voltage is below 85V – 90V at turn on, the unit will not allow AC voltage to reach the outlets.

Action Needed: Correct the line voltage, then turn the Furman conditioner on. If the voltage present is below 114 VAC or above 126 VAC, consider installing a Furman voltage regulator.

SERVICE

If you require technical support or equipment service, please contact the Furman Service Department at 707-763-1010. You may also email techsupport@furmansound.com.

All equipment being returned for repair must have a Return Authorization (RA) number. To get an RA number, please call the Furman Customer Service Department.

Before returning any equipment for repair, please be sure that it is adequately packed and cushioned against damage in shipment, and that it is insured. We suggest that you save the original packaging and use it to ship the product for servicing. Also, please provide a note giving your name, address, phone number, RA number and a description of the problem.

5 YEAR LIMITED WARRANTY

SAVE YOUR SALES RECEIPT! The receipt is your proof of purchase and confirms the product was purchased at an authorized Furman dealer. It will need to be submitted to Furman in order to process any warranty claims.

Furman, a brand of Panamax Inc., warrants its **PL-PRO DMC** (the “Product”) as follows:

Furman warrants to the original purchaser of the product that the product sold hereunder will be free from defects in material and workmanship for a period of five years from the date of purchase. If the product does not conform to this Limited Warranty during the warranty period (as herein above specified), purchaser shall notify Furman of the claimed defects by calling 707-763-1010 or via email (techsupport@furmansound.com). If the defects are of such type and nature as to be covered by this warranty, Furman shall authorize purchaser to return the product to Furman headquarters. Warranty claims **MUST** be accompanied by a copy of the original purchase invoice or receipt showing the purchase date. Shipping charges to Furman headquarters must be prepaid by the purchaser of the product. Furman shall, at its own expense, furnish a replacement product or, at Furman’s option, repair the defective product. Return shipping charges back to purchaser will be paid by Furman.

THE FOREGOING IS IN LIEU OF ALL OTHER WARRANTIES, EXPRESS OR IMPLIED, INCLUDING BUT NOT LIMITED TO THE IMPLIED

WARRANTIES OF MERCHANTABILITY AND FITNESS FOR A PARTICULAR PURPOSE.

Furman does not warrant against damages or defects arising out of improper use or abnormal handling of the product, or against defects or damages arising from improper installation. This warranty shall be cancelable by Furman at its sole discretion if the product is modified in any way without written authorization from Furman or Panamax Inc. This warranty also does not apply to products upon which repairs have been affected or attempted by persons other than pursuant to written authorization by Furman or Panamax Inc.

THIS WARRANTY IS EXCLUSIVE. The sole and exclusive obligation of Furman shall be to repair or replace the defective product in the manner and for the period provided above. Furman shall not have any other obligation with respect to the products or any part thereof, whether based on contract, tort, strict liability or otherwise. Under no circumstances, whether based on this Limited Warranty or otherwise, shall Furman be liable for incidental, special, or consequential damages. This Limited Warranty states the entire obligation of Furman with respect to the product. If any part of this Limited Warranty is determined to be void or illegal, the remainder shall remain in full force and effect.

SPECIFICATIONS**CURRENT RATING:**

20 amps

OPERATING VOLTAGE:

90 to 139 VAC

OVER VOLTAGE SHUTDOWN:

140 VAC typically

SPIKE PROTECTION MODES:

Line to neutral, zero ground leakage

SPIKE CLAMPING VOLTAGE:

188 VAC peak @ 3,000 Amps, 133 VAC RMS

RESPONSE TIME:

1 nanosecond

MAXIMUM SURGE CURRENT:

6,500 amps

NOISE ATTENUATION:

10 dB @ 10 kHz, 40 dB @ 100 kHz, 50 dB @ 500 kHz

Linear attenuation curve from 0.05 - 100 Ohms line impedance

DIMENSIONS:

1.75" H x 19" W x 10.5" D.

WEIGHT:

12 lbs. (5.5 kg.)

CONSTRUCTION:

Steel chassis, .120" brushed and black anodized aluminum front panel; glass epoxy printed circuit boards

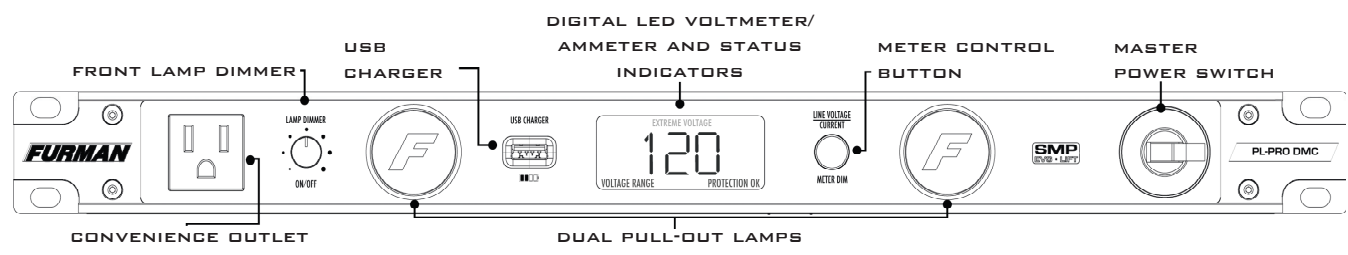
POWER CONSUMPTION:

15 VA

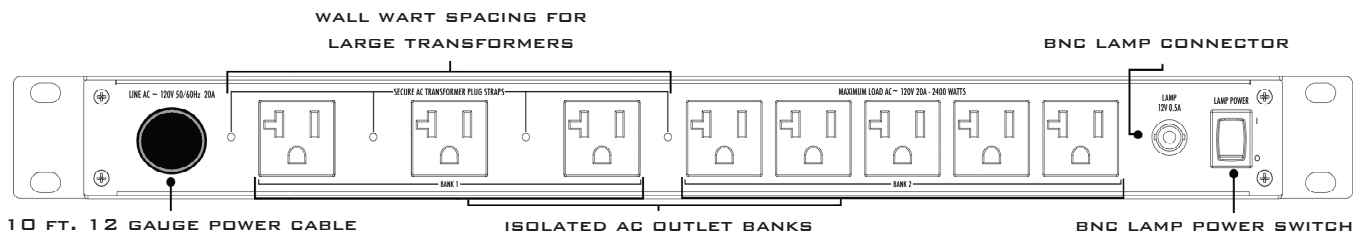
SAFETY AGENCY LISTING:

TUV

PL-PRO DMC FRONT PANEL



PL-PRO DMC REAR PANEL



CARACTÉRISTIQUES DU MODULE FILTRE PL-PRO DMC DE FURMAN

- Protection contre les surtensions **SMP** (Series Multi-Stage Protection) et **EVS** (Extreme Voltage Shutdown)
- Filtrage des parasites **LiFT** (Linear Filtering Technology) sans contamination de la mise à terre
- Voltmètre numérique précis commutable de courant RMS avec gradateur
- Prise de chargeur USB sur le panneau avant
- Deux lampes DEL rétractables **Smooth Track** à longue durée et à faible chaleur sur le panneau avant, avec gradateur, pour éclairer le bâti
- Prise BNC sur le panneau arrière accommodant n'importe quelle lampe à col de cygne standard (12 VCA 0,5 amp) pour éclairer l'arrière de votre bâti (les lampes à col de cygne GN-I et GN-LED de Furman se prêtent parfaitement à cette tâche)
- Huit prises de courant sur le panneau arrière (trois prises espacées munies de sangles de retenue permettant de brancher de façon sécuritaire des transformateurs)
- Une prise de courant sur le panneau avant
- Capacité de 20 A (2400 watts)
- Garantie limitée de cinq ans

INTRODUCTION

Nous vous remercions d'avoir acheté un module filtre de la série Classic de Furman et nous vous félicitons pour votre choix. Les modules filtres de la série Classic sont munis des circuits de protection contre les surtensions révolutionnaires de Furman, **SMP** (Series Multi-Stage Protection) et **EVS** (Extreme Voltage Shutdown), et de notre technologie exclusive de filtrage des parasites **LiFT** (Linear Filtering Technology). Ces technologies combinées incarnent exactement ce à quoi nos clients s'attendent de Furman, soit une protection et une purification du courant AC sans compromis. Notre série Classic a été conçue précisément pour excéder les exigences pointues des professionnels de l'audio-vidéo, des entrepreneurs, des diffuseurs et des musiciens.

SMP (SERIES MULTI-STAGE PROTECTION)

La technologie SMP de Furman élimine presque entièrement les appels de service et les coûteuses minutes de pannes. Les circuits de protections traditionnels contre les surtensions doivent être réparés lorsqu'exposés à des pointes de tension transitoires, impliquant le démantèlement de votre système. Ce n'est pas le cas avec le circuit SMP de Furman. Les voltages transitoires nuisibles sont absorbés, contraints et dissipés de façon sécuritaire. Votre équipement branché est protégé, tandis que votre appareil Furman se protège lui-même!

Ce qui différencie le circuit SMP de Furman est sa contrainte de voltage imbattable, soit le niveau de voltage qui est transmis à votre équipement quand le circuit de protection est soumis une pointe de tension transitoire. Tandis que d'autres circuits de protection offrent une contrainte de voltage se situant bien au-delà de 330 Vpk, le circuit SMP de Furman amorce sa contrainte à 188 Vpk (133 VCA RMS), même lorsque testé avec des surtensions à répétition de 6000 Vpk — 3000 A! Ce niveau de protection sans précédent n'est offert qu'avec la technologie SMP de Furman.

EVS (EXTREME VOLTAGE SHUTDOWN)

Le circuit de protection contre les surtensions EVS éprouvé protège contre les surtensions prolongées, comme un branchement accidentel dans une prise de 208 à 240 VCA, ou à un neutre intermittent. Pour y arriver, il surveille la tension électrique entrante et, lorsqu'il détecte une situation dangereuse, déclenche un relai qui coupe l'alimentation jusqu'à ce que la surtension soit éliminée et que l'alimentation soit rétablie.

LiFT (LINEAR FILTERING TECHNOLOGY)

Malheureusement, les modules filtres CA traditionnels ont été conçus pour être utilisés dans des conditions de laboratoire non réalistes. Les vieilles technologies, que ce soit des filtres à pôles multiples de modes conventionnels, pouvaient en vérité nuire au son et à l'image plus qu'elles n'aidaient à cause des pointes résonnantes issues d'une conception archaïque non linéaire. Dans certaines conditions, ces technologies peuvent en fait ajouter plus de 10 dB de bruit à l'alimentation en CA! Pire encore, les pointes de tension excessives et la contamination de la mise à terre par le bruit issu de l'alimentation en CA peuvent mener à la perte de données, à la nécessité de redémarrer les pré-réglages numériques ou à la destruction de convertisseurs numériques sensibles.

La technologie LiFT de Furman emprunte une voie différente, assurant une performance optimale avec un filtrage linéaire du bruit issu de l'alimentation en CA, sans contamination de la mise à terre.

CARACTÉRISTIQUES SUPPLÉMENTAIRES DU PL-PRO DMC

Le PL-PRO DMC est muni de lampes de bâti à DEL **Smooth Track** qui ne produisent pratiquement aucune chaleur et qui sont de très longue durée. Un gradateur dédié aux lampes de bâti permet à l'utilisateur d'ajuster le degré d'éclairage désiré (en tournant le gradateur vers la droite ou vers la gauche) ou d'éteindre les lampes (en appuyant sur le gradateur). À l'arrière de l'appareil, un connecteur BNC accommode une lampe à col de cygne standard (12 VCA 0.5 A) pour éclairer l'arrière du bâti.

Le PL-PRO C est muni d'une prise de courant sur le panneau avant et de huit prises sur le panneau arrière, dont trois sont espacées pour accommoder des transformateurs, branchés de façon sécuritaire grâce à des sangles de retenue. La capacité de 20 A (2400 watts) du PL-PRO C est rendue possible grâce à un cordon d'alimentation durable 12 AWG de 10 pieds.

De plus, le PL-PRO DMC est muni d'un voltmètre numérique précis commutable affichant le niveau de tension entrant en étapes de 1 volt ou le véritable courant RMS en étapes de 0,1 A. La précision du voltmètre est de $\pm 1,5$ volts, tandis qu'il est muni d'un indicateur de niveau de tension tricolore. Il permet à l'utilisateur de savoir si le niveau de tension se situe ou non dans une gamme sûre, même à partir d'une distance ne permettant pas de lire avec précision la tension affichée.

CONSIGNES DE SÉCURITÉ

Afin d'obtenir les meilleurs résultats possible avec votre module filtre de la série Classic de Furman, veuillez lire ce guide attentivement avant l'utilisation.

AVERTISSEMENT

Afin de réduire les risques de choc électrique, veuillez ne pas exposer cet équipement à la pluie ou à l'humidité. Le boîtier comporte des niveaux de tensions élevés. Ne retirez pas le couvercle. Confiez toujours l'entretien à des techniciens qualifiés. Le symbole représentant un éclair avec une tête de flèche indique qu'il y a présence de tension non isolée dans le boîtier qui, dans le cas où sa magnitude est suffisante, constitue un risque de choc électrique.

IMPORTANTES CONSIGNES DE SÉCURITÉ

(Veuillez lire avant l'installation)

1. Veuillez lire et respecter toutes les consignes de sécurité et le mode d'emploi avant d'installer votre module filtre de la série Classic de Furman. Conservez ces documents pour consultation ultérieure.
2. Votre module filtre de la série Classic ne devrait pas être utilisé près d'une source d'eau, comme un bain, une cuvette, un évier, une cuve de lessivage, un sous-sol mouillé ou une piscine.
3. Ne placez pas votre module filtre de la série Classic près d'une source de grande chaleur, comme un radiateur, une bouche à air chaud, un four ou d'autres appareils qui produisent beaucoup de chaleur.
4. Le PL-PRO DMC de Furman devrait être branché seulement à une prise de courant avec mise à terre de 120 VCA, 50Hz/60Hz, 20 A. Ne retirez pas la mise à terre et ne changez pas la polarisation de la fiche d'alimentation.
5. Placez le cordon d'alimentation et tous les autres câbles afin d'éviter tout piétinement, trébuchement ou tension excessive. Portez une attention particulière à l'état des cordons et des câbles et à l'endroit d'où ils sortent de votre module filtre Furman. Pour minimiser les risques d'incendie ou de blessures, remplacez immédiatement les cordons et les câbles endommagés.
6. Nettoyez votre module filtre Furman uniquement avec un linge humide. N'utilisez pas de solvant ou de nettoyeur abrasifs. Ne versez jamais de liquides sur ou dans l'appareil.
7. Faites vérifier votre module filtre Furman par un technicien qualifié lorsque :
 - Le cordon ou la fiche d'alimentation est usé, entortillé ou coupé.
 - Des objets sont tombés sur l'appareil ou des liquides ont été versés dedans.
 - L'appareil a été exposé à la pluie ou à de l'humidité extrême.

- *L'appareil semble ne pas fonctionner normalement.*
- *L'indicateur « Protection OK » n'est pas allumé.*
- *L'appareil est tombé au sol ou le boîtier a été endommagé.*
- *Les lampes DEL rétractables ne fonctionnent plus.*

8. Une mise à terre de sûreté doit être présente pour que votre module filtre Furman fonctionne correctement. Toute utilisation de l'appareil sans mise à terre de sûreté sera considérée comme irrégulière et pourrait invalider la garantie.
9. N'essayez pas de réparer votre module filtre Furman au-delà de ce qui est expliqué dans ce guide. Toute autre réparation devrait être confiée à un technicien qualifié.

OPÉRATION

LAMPES SMOOTH TRACK RÉTRACTABLES ÉCLAIRANT LE BÂTI, LAMPE SUR LE PANNEAU ARRIÈRE ET GRADATEUR :

Les modules filtres de la série Classic de Furman sont munis d'un gradateur pour régler les deux lampes Smooth Track rétractables. Le bouton gradateur règle la luminosité des deux lampes du panneau avant. Augmentez la luminosité en le tournant vers la droite et diminuez la luminosité en le tournant vers la gauche. Le bouton agit également en tant qu'interrupteur pour les lampes; il s'agit d'appuyer dessus pour allumer ou éteindre les lampes. Lorsque les lampes ne sont pas nécessaires, il est recommandé de tourner le gradateur complètement vers la gauche ou simplement de les éteindre pour maximiser la durée de vie des lampes DEL. Que les lampes soient toutes sorties ou entièrement rétractées, elles ne dégageront pas de chaleur excessive, peu importe le niveau de luminosité choisi, grâce à l'efficacité de nos lampes DEL.

Tous les modules filtres de la série Classic de Furman sont munis d'une prise BNC à l'arrière pour y brancher une lampe à col de cygne de 12 VCA (0.5 A) permettant d'éclairer l'arrière du bâti (comme les lampes GN-LED et GN-I de Furman). Il s'agit simplement d'insérer une lampe BNC dans la prise et de la visser jusqu'à ce qu'elle soit bien fixée. La lampe s'allume à l'aide de l'interrupteur situé près de la douille BNC.

PRISE DE COURANT ET DISJONCTEUR MAGNÉTIQUE À RÉSISTANCE ULTRA FAIBLE :

La prise de courant de 20 A de la série Classic de Furman a été conçue pour résister au flot de courant intense exigé par beaucoup d'amplificateurs de puissance. De plus, les disjoncteurs magnétiques Furman ne sont pas sensibles à la température et ne contribueront pas à faire augmenter l'impédance CA comme le font beaucoup de disjoncteurs thermiques moins dispendieux. Si la capacité de 20 ampères RMS du PL-PRO C est dépassée, l'interrupteur à ressort se mettra automatiquement en position éteinte. Vous devrez remettre l'interrupteur en position de marche une fois que le problème sera réglé (typiquement, vous devrez éliminer une composante ou attendre que le courant RMS n'excède pas 20 A ou 2400 watts).

INDICATEUR DE PROTECTION CONTRE LES SURTENSIONS EXTRÊMES (EVS) :

L'indicateur DEL Extreme Voltage est normalement éteint. Il est situé dans la section munie du vumètre, directement au-dessus du voyant DEL bleu indicatif de la tension et du courant. Lors d'une utilisation normale, il ne sera pas visible.

L'indicateur Extreme Voltage contrôle un risque commun dans les industries du divertissement, de l'émission en extérieur et de l'audio-vidéo, soit les défauts de câblage. Par exemple, s'il y avait une connexion accidentelle dans du 208 VCA tandis que 120 VCA était requis, ou une série de connexions neutres de 208 à 240 VCA, le circuit de protection EVS de Furman détecterait les tensions trop élevées et couperait l'alimentation avant qu'il y ait des dommages.

Dès la mise en marche de ces appareils, l'indicateur de surtension extrême s'allumera et les lettres « EVS » s'afficheront en rouge en haut de l'afficheur du vumètre si le niveau de tension de l'alimentation dépasse le niveau de surtension maximal.

NOTE : Si l'alimentation globale excède le niveau de coupure de tension extrême et a poussé le circuit de protection EVS à cesser d'alimenter les prises du PL-PRO DMC, l'alimentation régulière ne peut pas être rétablie sans que l'opérateur éteigne manuellement le module et le rallume. Ne rallumez pas le module avant d'avoir cerné l'origine du problème et d'avoir changé la source d'alimentation électrique (si nécessaire).

INDICATEUR « PROTECTION OK » :

Bien que le circuit SMP de Furman assure une protection presque entièrement autonome contre les pointes de surtension transitoires, la nature trouve parfois le moyen de produire des forces électriques qui dépassent les capacités d'absorption de TOUT circuit de protection contre les surtensions, causant des dommages (comme un éclair qui frappe directement un site extérieur). Dans les rares cas où cela surviendra, le voyant DEL vert « Protection OK », situé dans le coin inférieur droit de l'afficheur du vumètre, s'affaiblira. Si cela se produit, le module conservera un certain niveau de protection contre les surtensions, mais le dispositif d'arrêt de surtension du PL-PRO DMC sera compromis et l'appareil devra être envoyé à Furman pour être réparé.

NOTE : Les modules filtres de la série Classic de Furman ne compensent pas les fluctuations de la tension de ligne à CA. Si vous déplacez souvent votre bâti d'un endroit à un autre, tirez votre alimentation de génératrices, utilisez de très longues rallonges, voyagez à l'international ou vivez dans une région encline aux baisses de tension, vous pourriez tirer profit d'un régulateur de tension CA Furman.

AMPÈREMÈTRE ET VOLTMÈTRE À AFFICHAGE NUMÉRIQUE POUR INDIQUER LA TENSION À L'ENTRÉE ET LE COURANT CONSOMMÉ :

Le voltmètre numérique CA de précision de Furman mesure continuellement la tension à l'entrée selon une tolérance typique de +/-1,5 VCA. Notez que la lecture de la tension est entrante.

Le voltmètre de précision indique le véritable niveau de courant RMS et mesure continuellement la charge CA totale du circuit, selon une tolérance typique de +/- 0,5 A. Parce que ces vumètres possèdent la technologie RMS véritable, les niveaux de courant indiqués sont précis, peu importe les conditions de charge (capacité, induction, ou résistance).

Pour passer de la tension au courant, appuyez sur le bouton nommé « Line Voltage/Current ». Pour baisser l'intensité de l'éclairage de l'afficheur, appuyez sur ce même bouton pendant deux secondes.

Indicateur de la gamme de tension :

Cet indicateur est situé dans le coin inférieur gauche de l'afficheur de tension et de courant numérique. Lorsque la tension CA se situe à moins de 5 volts (+/-) d'une source nominale de 120 VCA, cet indicateur tricolore sera vert (tension optimale). Toutefois, si la tension se situe entre 110 et 114 VCA ou entre 126 et 130 VCA, l'indicateur deviendra ambré (attention, tension non optimale). Si le niveau de la tension de l'alimentation se situe dans une gamme extrême (en dessous de 110 ou au-dessus de 130), l'indicateur deviendra rouge. Cette gamme est loin d'être optimale et pourrait potentiellement endommager certains équipements.

CHARGEUR USB :

Le chargeur USB du PL-PRO C de Furman constitue une façon pratique de recharger beaucoup d'accessoires électroniques populaires et des appareils de communication cellulaire simplement en branchant le cordon de chargement dans la prise située sur le panneau avant. Veuillez prendre note qu'il y a actuellement plusieurs standards USB, donc certains appareils pourraient ne pas être compatibles avec notre chargeur.

SANGLES DE RETENUE POUR TRANSFORMATEURS :

Votre module filtre de 20 ampères de la série Classic Pro de Furman est muni de prises de courant sur le panneau arrière qui sont espacées pour accommoder des transformateurs. Ceux-ci peuvent être sécurisés pour le transport à l'aide des sangles de retenue (incluses). Chaque prise est munie, de chaque côté, de trous de vis filetées permettant de fixer les sangles de retenue.

DÉPANNAGE

1) Symptôme : Les prises de courant ne reçoivent pas d'alimentation électrique.

Cause possible : Le disjoncteur (situé sur le panneau avant) a été déclenché à cause d'une surtension.

Solution : Débranchez une portion d'équipement qui est branché au module filtre Furman et arrêtez l'unité, puis dessus encore.

2) Symptôme : Les prises de courant ne reçoivent pas d'alimentation électrique et l'indicateur « Protection OK » n'est pas allumé.

Cause possible : Il n'y a pas de courant provenant de la prise dans laquelle votre module filtre Furman est branché, ou le circuit de protection de votre appareil a été compromis.

Solution : Branchez le module filtre Furman dans une prise où il y a un courant de 120 VCA. Si le problème persiste, contactez Furman pour obtenir de l'aide technique.

3) Symptôme : L'indicateur de surtension extrême (EVS) est allumé.

Cause possible : L'alimentation de l'appareil dépasse 140V, faisant en sorte que les prises du module soient éteintes. De plus, si le niveau de tension est sous 85V – 90V lors de la mise en marche, l'appareil ne transmettra pas le courant à ses prises.

Solution : Corrigez la tension de l'alimentation électrique et mettez en marche le module filtre Furman. Si le niveau de tension présent se situe sous 114 VCA ou au-dessus de 126 VCA, songez à installer un régu lateur de tension Furman.

SERVICE À LA CLIENTÈLE

Si vous avez besoin de soutien technique ou d'une réparation, veuillez contacter le Département du service à la clientèle de Furman au 707-763-1010. Vous pouvez également communiquer avec nous par courriel à techsupport@furmansound.com.

Tout équipement qui nous est envoyé pour être réparé doit avoir un numéro d'autorisation de retour. Pour obtenir ce numéro, téléphonez au Département du service à la clientèle de Furman.

Avant de nous faire parvenir un appareil, assurez-vous qu'il soit bien emballé et protégé contre les chocs lors du transport et faites assurer le colis. Nous suggérons que vous gardiez l'emballage original et que vous l'utilisiez pour envoyer l'appareil. Veuillez également inclure une note contenant votre nom, votre adresse, vos numéros de téléphone et d'autorisation de retour, et une description du problème.

GARANTIE LIMITÉE DE 5 ANS

CONSERVEZ VOS REÇUS D'ACHAT! Le reçu constitue votre preuve d'achat et confirme que le produit a été acheté chez un distributeur Furman agréé. Vous devrez l'envoyer à Furman pour toute réclamation. Furman, une marque de Panamax Inc., garantit son PL-PRO DMC (le « Produit ») comme suit : Furman garantit à l'acheteur original du produit que le produit vendu aux termes des présentes ne possède aucun défaut matériel et de fabrication pour une période de cinq ans à partir de la date d'achat. Si le produit n'est pas conforme à cette garantie limitée durant la période de garantie (telle que spécifiée ci-dessus), l'acheteur avisera Furman des défauts en téléphonant au numéro suivant, 707-763-1010, ou par courriel (techsupport@furmansound.com). Si les défauts correspondent à ceux qui sont couverts par cette garantie, Furman autorisera l'acheteur à retourner le produit à son siège social. Les réclamations sous garantie doivent être accompagnées d'une copie de la facture ou du reçu d'achat original indiquant la date d'achat. Les frais d'envoi doivent être payés à l'avance par l'acheteur du produit. Furman s'engage à remplacer le produit à ses frais ou selon son jugement, à réparer le produit défectueux. Les frais d'envoi à l'acheteur seront payés par Furman. **LE SUSDIS SUPPLANTE TOUTE AUTRE GARANTIE, EXPRIMÉE OU IMPLICITE, Y COMPRIS, MAIS PAS LIMITÉ AUX GARANTIES IMPLICITES À L'ÉGARD DE LA QUALITÉ LOYALE ET MARCHANDE VISANT UN BUT PARTICULIER.** Furman ne garantit pas contre les dommages ou défauts issus d'une utilisation inappropriée ou de la manutention anormale du produit, ou contre les dommages ou défauts issus d'une mauvaise installation. Furman annulera cette garantie à sa discrétion si le produit a été modifié sans l'autorisation écrite de Furman ou de Panamax Inc. Cette garantie ne s'applique également pas aux produits qui ont été réparés par des personnes autres que celles autorisées (par écrit) par Furman ou Panamax Inc. **CETTE GARANTIE EST EXCLUSIVE.** L'obligation unique et exclusive de Furman sera de réparer ou de remplacer le produit défectueux de la manière et selon la période indiquée ci-dessus. Furman n'aura pas d'autre obligation en ce qui a trait aux produits ou à ses pièces, que ce soit sous forme de contrat, de faute professionnelle, de responsabilité stricte ou autre. En aucune circonstance Furman ne pourra être tenu responsable, soit sur la base de cette garantie limitée ou autre, de dommages accidentels, spéciaux ou indirects. Cette garantie limitée exprime toute l'étendue des obligations de Furman quant au produit. Si une portion de cette garantie limitée devait être jugée nulle ou illégale, le reste demeurerait en vigueur.

CARACTÉRISTIQUES

COURANT NOMINAL :

20 A

TENSION DE FONCTIONNEMENT :

90 à 140 VCA

ARRÊT DÛ À UNE SURTENSION :

140 VCA (typiquement)

MODES DE PROTECTION CONTRE LES SURTENSIONS :

Ligne à neutre, aucune perte à la terre

INTERRUPTION DUE À DES SURTENSIONS :

Pointe de 188 VCA à 3000 A, 133 VCA RMS

TEMPS DE RÉACTION :

1 nanoseconde

COURANT DE CHOC MAXIMAL :

6,500 A

ATTÉNUATION DU BRUIT :

10 dB à 10 kHz, 40 dB à 100 kHz, 50 dB à 500 kHz
 Courbe d'atténuation linéaire : impédance de 0.05 — 100 Ohms

DIMENSIONS :

1,75 po (H) x 19 po (L) x 10,5 po (P)

POIDS :

12 lb (5.5 kg.)

CONSTRUCTION :

Châssis d'acier, panneau avant d'aluminium anodisé noir brossé de 0,120 po, circuits imprimés sur verre-époxyde

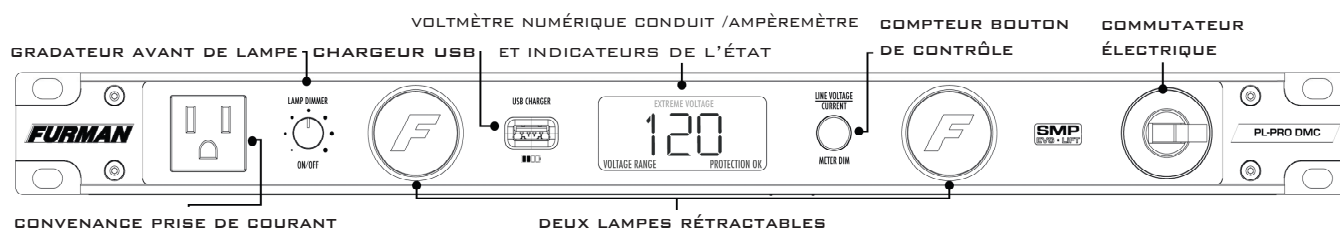
CONSOMMATION :

15 VA

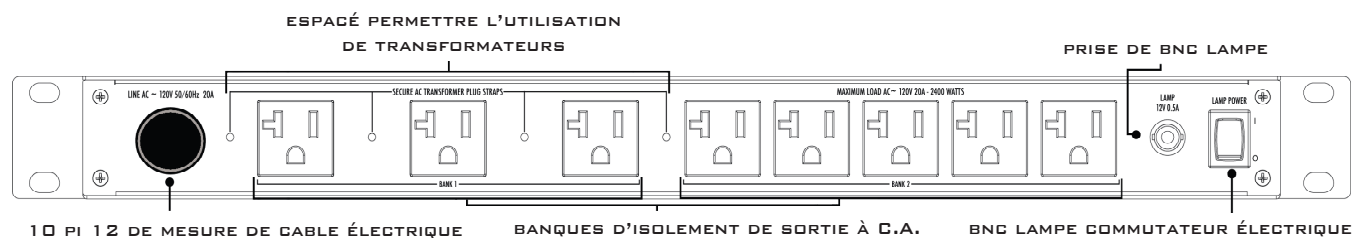
LISTE D'AGENCE DE SÛRETÉ :

TUV

PL-PRO DMC PANNEAU AVANT



PL-PRO DMC ARRIÈRE PANNEAU



CARACTERÍSTICAS DEL PL-PRO DMC DE FURMAN

- Tecnología **SMP** (Series Multi-Stage Protection/Protección en serie multi-etapa) con **EVS** (Extreme Voltage Shutdown/Interrupción del voltaje extremo)
- Tecnología **LiFT**, (Linear Filtering/Filtro lineal) con cero interferencia de conexión a tierra
- Medidor digital de Voltaje/Corriente RMS verdadera con precisión a nivel de laboratorio con interruptor/atenuador
- Cargador USB instalado en el panel delantero
- Dos luces LED Smooth Track retráctiles en el panel delantero de larga duración y baja producción de calor con interruptor-atenuador de luz para regular la intensidad de iluminación
- Conector BNC en el panel posterior que permite la conexión de cualquier lámpara cuello de cisne estándar (12V CA 0,5 amperios) para iluminar la parte posterior de la unidad (Las lámparas cuello de cisne GN-I y GN-LED de Furman son las mejores para esta aplicación)
- Ocho salidas de CA en el panel posterior, tres con un amplio espacio y correas de gancho y presillas para sostener y asegurar los adaptadores de CA, (tomacorrientes para transformadores)
- Una salida práctica en el panel delantero
- Capacidad de 20 amperios (2400 vatios)
- Garantía limitada de cinco años

INTRODUCCIÓN

Gracias por comprar el acondicionador de energía de la Serie Classic de Furman y felicitaciones por su elección.

Los acondicionadores de energía Serie Classic cuentan con el revolucionario circuito **SMP** (Protección en serie multi-etapa), **EVS** (Interrupción del voltaje extremo) y la exclusiva Linear Filtering Technology (**LiFT**) (Filtro lineal) de Furman. En conjunto, estas tecnologías forman parte exactamente de lo que nuestros clientes esperan de Furman: protección y purificación de la CA insuperables. Nuestra Serie Classic se creó precisamente para superar las demandas cruciales de los profesionales de audio/video, contratistas, emisoras de difusión y músicos por igual.

SMP (PROTECCIÓN EN SERIE MULTI-ETAPA)

Con el supresor de sobretensión SMP de Furman no es necesario llamar al servicio técnico y se evita el costoso «tiempo de inactividad». Los circuitos supresores de sobretensión tradicionales se sacrifican cuando se exponen a picos de voltaje múltiples transitorios que requieren el desmantelamiento de su sistema y la reparación del supresor de sobretensión. Esto no sucede con el SMP de Furman. Los voltajes transitorios perjudiciales se absorben, se contienen y se disipan con seguridad. Su equipo conectado está protegido mientras el SMP de Furman se protege a sí mismo.

Una característica única del SMP de Furman es el incomparable voltaje de sujeción, que se define como la cantidad de voltaje que puede pasar por su equipo cuando el dispositivo de protección se somete a una sobretensión o a un pico transitorio. Mientras otros diseños ofrecen voltaje de sujeción muy por encima del pico de 330V, el SMP de Furman contiene picos de 188 V, (133 V CA RMS), incluso cuando se prueba con sobretensiones múltiples de 6000V - 3000 amperios. Este nivel de protección sin precedentes solo está disponible con la tecnología SMP de Furman.

EVS (INTERRUPCIÓN DE VOLTAJE EXTREMO)

El sistema de circuitos confiable de sobrecarga de Furman (EVS) protege contra las condiciones de sobrecarga como las conexiones accidentales a 208 o 240 V CA o una conexión intermitente del neutro. La protección se realiza al controlar el ingreso de voltaje y cuando detecta una condición insegura, dispara un relé que corta el ingreso de energía hasta que se corrige la condición de sobrecarga y se reposiciona el interruptor de encendido/apagado.

TECNOLOGÍA LiFT (FILTRO LINEAL)

Desafortunadamente, los acondicionadores de energía de CA tradicionales se diseñaron para condiciones de laboratorio irreales. Las tecnologías anteriores, ya sean de filtros de varios polos o de modo serie convencional, en realidad, podrían dañar el rendimiento de audio y video en vez de ayudar debido a la máxima resonancia de sus diseños anticuados no lineales. Bajo ciertas condiciones, estos diseños pueden, en realidad, agregar más de 10 dB de ruido en la línea de entrada de CA. Peor aún, los picos de voltaje excesivo y el ruido de CA que interfiere con la conexión a tierra del equipo pueden causar, con frecuencia, la pérdida de datos digitales, la necesidad de reiniciar las configuraciones digitales o la destrucción de convertidores digitales sensibles. La tecnología LiFT de Furman tiene un enfoque diferente que garantiza el rendimiento óptimo por medio de filtros lineales para el ruido de CA sin interferir con la conexión a tierra.

CARACTERÍSTICAS ADICIONALES DEL PL-PRO DMC

El PL-PRO DMC cuenta con luces LED Smooth Track en el soporte. Estas luces, virtualmente, no producen calor y tienen una vida útil extremadamente larga. Un interruptor-atenuador de intensidad para las luces del soporte le permite al usuario regular el nivel de luminosidad (al girarlo en sentido horario/antihorario) y encender o apagar las lámparas (al presionar la perilla). Un conector hembra BNC montado en la parte posterior permite conectar cualquier lámpara cuello de cisne (12V CA 0,5 amperios) para iluminar la parte posterior de la unidad.

El PL-PRO C está equipado con una práctica salida de CA en el panel delantero, ocho salidas en el panel posterior, tres de las cuales tienen espacio entre ellas para poder enchufar adaptadores de CA («tomacorrientes para transformadores») que se pueden asegurar con las correas de gancho y presillas incluidas. La capacidad de 20 amperios (2400 vatios) del PL-PRO C se proporciona desde un cable de alimentación de CA resistente de 12AWGx3, de 10 pies (3 metros) de largo.

Además, el PL-PRO DMC ofrece un medidor digital conmutable con precisión a nivel de laboratorio que muestra el voltaje de entrada en incrementos de 1 voltio o corriente RMS verdadera en incrementos de 0,1 amperio. La precisión del voltímetro es de $\pm 1,5$ voltios y cuenta con un indicador de rango de voltaje tricolor. Esto le indica al usuario si el voltaje está dentro o fuera del rango óptimo, incluso desde una distancia bastante grande como para leer con precisión el voltaje que muestra.

INFORMACIÓN DE SEGURIDAD

Para obtener mejores resultados con el acondicionador de energía Serie Classic de Furman, lea atentamente este manual antes de utilizarlo.

ADVERTENCIA

Para reducir el riesgo de descargas eléctricas, no exponga este equipo a la lluvia ni a la humedad. Existen voltajes altos peligrosos dentro del gabinete. No quite la cubierta. Para obtener servicio técnico, solo consulte al personal calificado. El símbolo de relámpago terminado en flecha sirve para alertar sobre la presencia de voltaje peligroso no aislado dentro del gabinete del equipo y puede tener la suficiente magnitud como para considerarlo un riesgo de descarga eléctrica.

INSTRUCCIONES IMPORTANTES DE SEGURIDAD

(Lea las siguientes instrucciones antes de la instalación)

1. Lea y respete todas las instrucciones de seguridad y de funcionamiento antes de instalar su acondicionador de energía Serie Classic de Furman. Guarde estas instrucciones para futuras referencias.
2. No debe utilizar el acondicionador de energía Serie Classic cerca del agua, por ejemplo, cerca de tinas, lavamanos, fregaderos de cocina, recipientes para lavar ropa, en sótanos con humedad ni cerca de una piscina.
3. No coloque el acondicionador Serie Classic cerca de fuentes de mucho calor como radiadores, rejillas de calefacción, estufas o demás artefactos que produzcan calor extremo.
4. El PL-PRO DMC de Furman se debe conectar solamente a un tomacorriente con conexión a tierra de 120 V CA, 60Hz, 20 amperios. No anule la conexión a tierra ni cambie la polarización del enchufe.
5. Lleve los cables de alimentación de CA y demás cables por lugares donde las personas no se tropiecen, los tensionen ni caminen sobre ellos. Preste especial atención a la condición de los cables en los enchufes y en los puntos de salida del acondicionador Furman. Para prevenir el riesgo de incendio o lesiones, los cables dañados se deben reemplazar inmediatamente.
6. Limpie el acondicionador Furman solo con un paño húmedo. No utilice solventes ni limpiadores abrasivos. Nunca vierta líquidos sobre ni dentro de la unidad.
7. El personal de servicio técnico calificado debe realizar servicios de mantenimiento y reparación de su acondicionador Furman cuando:
 - El cable de suministro eléctrico o el enchufe se haya desgastado, torcido o cortado.
 - Cayeron objetos o se derramó algún líquido sobre la unidad.
 - La unidad se expuso a la lluvia o a condiciones de humedad extrema.
 - La unidad parece no funcionar normalmente.
 - El indicador de «Protection OK» (Protección activada) no se enciende.
 - La unidad se haya caído o el gabinete se haya dañado.
 - Las luces LED retráctiles no funcionan.

8. El acondicionador Furman requiere una conexión a tierra de seguridad para que pueda funcionar correctamente. Cualquier intento de utilizar la unidad sin la conexión a tierra de seguridad se considera uso inapropiado y puede invalidar la garantía.
9. No intente realizar ningún tipo de mantenimiento ni reparación de su acondicionador Furman además de lo que se describe en este manual. Todos los demás servicios de mantenimiento y reparación se deberán enviar al personal de servicio técnico calificado.

FUNCIONAMIENTO

CONTROL DE LAS LUCES SMOOTH TRACK RETRÁCTILES DEL SOPORTE, DE LA LÁMPARA DEL PANEL POSTERIOR Y DEL REGULADOR DE INTENSIDAD:

Los acondicionadores de energía Serie Classic de Furman utilizan un control de intensidad para los dos tubos de luz Smooth Track retráctiles. La perilla de intensidad controla la luminosidad de las dos lámparas del panel delantero. Gírela en sentido horario para aumentar la luminosidad y, en sentido antihorario para disminuirla. La perilla funciona además como interruptor de encendido/apagado momentáneo para las lámparas: presiónela para encender o apagar las lámparas. Cuando no se utilizan las lámparas, le recomendamos girar completamente el regulador de intensidad en sentido antihorario o apagarlas para maximizar la vida útil de las luces LED. Si los tubos de luz están completamente extendidos o sobresalen del panel delantero, no se producirá un calor considerable independientemente de la configuración de intensidad debido al rendimiento de las luces LED de amplio espectro.

Todos los acondicionadores Serie Classic de Furman cuentan con un conector BNC en la parte posterior, donde se puede conectar cualquier conjunto de lámparas cuello de cisne de 12 V CA (0,5A) (como las GN-LED o GN-I de Furman). Simplemente coloque el enchufe BNC en el conector y gírelo en sentido horario hasta que encaje en la posición de cierre. La lámpara de la parte posterior se puede encender y apagar con el interruptor de luz que está próximo al conector BNC.

INTERRUPTOR DE ENCENDIDO MAGNÉTICO DE RESISTENCIA ULTRA BAJA/INTERRUPTOR DE CIRCUITO:

El interruptor de encendido Serie Classic de Furman de 20 amperios está diseñado específicamente para resistir las altas demandas de corriente interna de varios amplificadores de energía. Además, los interruptores de circuito magnético de Furman no son sensibles a la temperatura y no aumentarán la impedancia de CA como lo hacen la mayoría de los interruptores térmicos menos costosos. Si se supera la capacidad de corriente RMS de 20 amperios del PL-PRO C, el interruptor con tensión de resorte cambiará inmediatamente a la posición de apagado. Usted deberá colocar el interruptor en la posición de encendido nuevamente una vez que se corrija el problema (generalmente, al eliminar un componente o hasta que la corriente RMS no exceda los 20 amperios o 2400 vatios).

INDICADOR EVS (INTERRUPCIÓN DE VOLTAJE EXTREMO):

El indicador LED de Extreme Voltage, generalmente, está apagado. Se encuentra dentro del conjunto del lente del medidor, directamente sobre la luz LED azul de voltaje/corriente, aunque durante el uso normal NO estará visible.

El indicador Extreme Voltage controla un riesgo que es común en las industrias de entretenimiento, transmisión remota o contratistas de servicios de audio y video: las fallas de cableado. Por ejemplo: una conexión accidental a 208V CA donde se espera 120V CA o una conexión de neutro abierto desde un servicio eléctrico de 208 a 240V CA. El circuito EVS de Furman al detectar voltajes muy altos que impiden el normal funcionamiento, interrumpe el suministro de energía antes de que se produzcan daños.

Al conectar la energía a estas unidades, el indicador de voltaje extremo se encenderá y aparecerán las letras «EVS» de color rojo en la parte superior del lente del medidor si el voltaje de entrada está por encima del apagado en voltaje extremo (mayor a 140 voltios).

NOTA: Si la alimentación eléctrica está por encima del apagado en voltaje extremo e hizo que el circuito EVS cortara la energía de las salidas del PL-PRO DMC, el suministro de energía no se podrá reestablecer sin que el operador apague la unidad y la vuelva a encender manualmente. No vuelva a encender la unidad sin revisar primero el origen del problema y cambiar la fuente de CA (si fuera necesario).

INDICADOR «PROTECTION OK» (PROTECCIÓN ACTIVADA):

Aunque el circuito SMP de Furman garantiza, virtualmente, la protección sin mantenimiento contra picos de voltaje transitorios y sobretensiones, la naturaleza, ocasionalmente, crea fuerzas eléctricas que van más allá de la capacidad que CUALQUIER dispositivo supresor de sobretensión pueda tener para absorberlos sin que causen daños (como un rayo que cae directamente en alguna aplicación exterior). Cuando se presentan estos casos poco comunes, el indicador LED verde de «Protection OK» (Protección activada) que se encuentra en la parte inferior derecha del visor del medidor, se atenuará. Si esto sucede, quedará cierto nivel de protección contra sobretensiones de voltaje, pero se comprometerá el nivel de voltaje de sujeción del PL-PRO DMC y se deberá devolver la unidad a Furman para que se le realice el servicio técnico.

NOTA: Los acondicionadores de energía Serie Classic de Furman no compensan por voltaje de línea de CA alto o bajo. Si usted, con frecuencia, coloca el soporte en diferentes lugares, obtiene energía de generadores, utiliza cables de extensión muy largos, viaja a países extranjeros, o se encuentra en una región propensa a apagones, puede aprovechar de los Reguladores de voltaje de CA de Furman.

MEDIDOR CONMUTABLE DIGITAL PARA VOLTAJE Y CORRIENTE RMS VERDADERA:

El voltímetro digital de CA de Furman con precisión a nivel de laboratorio mide constantemente el voltaje de entrada con una tolerancia normal de $\pm 1,5V$ CA. Se debe tener en cuenta que la lectura es la del voltaje de entrada.

El medidor digital de corriente RMS verdadera de Furman, con precisión a nivel de laboratorio, mide constantemente la carga de CA total del circuito con una tolerancia normal de $\pm 0,5$ amperios. Debido a que estos medidores cuentan con la tecnología RMS, las lecturas de corriente son precisas, independientemente de las condiciones de carga (capacitiva, inductiva o resistiva).

Para alternar entre voltaje y corriente, presione el botón con la etiqueta «Line Voltage/Current» (voltaje/corriente de línea). Presione el botón durante dos segundos para atenuar el brillo de la pantalla.

INDICADOR DEL RANGO DE VOLTAJE:

Este indicador se encuentra en el extremo inferior izquierdo del conjunto del lente del medidor digital de voltios/amperios. Cuando el voltaje de CA está dentro de los 5 voltios (\pm) de la fuente de 120V CA nominal, el indicador tricolor estará de color verde (óptimo). Sin embargo, si el voltaje está entre 110 y 114V CA o entre 126 y 130V CA, el indicador se pondrá de color ámbar (precaución: no es óptimo). Si el voltaje de entrada está en un rango extremo (por debajo de 110 o por encima de 130), el indicador se pondrá de color rojo. Este rango no es para nada óptimo y puede dañar potencialmente algún equipo.

CARGADOR USB:

El cargador USB del PL-PRO C de Furman brinda una forma fácil de recargar varios accesorios electrónicos conocidos y dispositivos de comunicación por celular simplemente conectando el cable de recarga en el conector del panel delantero. Tenga en cuenta que debido a que, actualmente, existen muchos estándares para USB, es posible que algunos dispositivos no sean compatibles con nuestro cargador.

Presillas de seguridad para adaptadores de CA (tomacorrientes para transformadores):

Su acondicionador Serie Classic Pro de 20 amperios de Furman cuenta con salidas para CA en el panel posterior con un gran espacio entre ellas para enchufar adaptadores de CA (tomacorrientes para transformadores). Además, estos adaptadores de CA se pueden asegurar con correas de gancho y presillas (incluidas) cuando se trasladan. En cada salida hay orificios roscados para tornillos en ambos lados para colocar las correas de gancho y presillas.

SOLUCIÓN DE PROBLEMAS

- 1.) Síntoma:** No hay energía en las salidas de CA.
- Causa posible:** El disyuntor de circuito (localizado en el panel de delante) se disparó debido a una carga excesiva.
- Medida necesaria:** Desenchufe un equipo del acondicionador Furman y apaga la unidad, entonces encendido otra vez.
- 2.) Síntoma:** No hay energía en las salidas CA, el indicador «Protection OK» (Protección activada) no está encendido.
- Causa posible:** La salida de CA donde está conectado el acondicionador Furman no tiene voltaje de CA o el sistema de circuitos de protección de su unidad está comprometido.
- Medida necesaria:** Enchufe el acondicionador Furman en un tomacorriente de CA de voltaje nominal de 120 V CA. Si el problema continúa, comuníquese con Furman para obtener servicio técnico.
- 3.) Síntoma:** El indicador de voltaje extremo (EVS) está encendido.
- Causa posible:** El voltaje de entrada está por encima de los 140V y se cortó la energía en las salidas de la unidad. Además, si el voltaje está por debajo de 85V – 90V durante el encendido, la unidad no permitirá que el voltaje de CA llegue a las salidas.
- Medida necesaria:** Corrija el voltaje de la línea, luego encienda el acondicionador Furman. Si el voltaje presente está por debajo de 114 V CA o por encima de 126 V CA, considere instalar un regulador de voltaje Furman.

SERVICIO TÉCNICO

Si necesita servicio técnico para equipos, comuníquese con el Departamento de servicios de Furman al 707-763-1010. También se puede comunicar por correo electrónico a techsupport@furmansound.com.

Todos los equipos que se devuelvan para reparación deberán tener el número de Autorización de Retorno (RA). Para obtener un número RA, comuníquese con el Departamento de servicio de atención al cliente de Furman.

Antes de devolver cualquier equipo para reparación, asegúrese de que se encuentre embalado, asegurado y protegido correctamente contra daños durante el envío. Le sugerimos que guarde el embalaje original y lo utilice para enviar el producto cuando necesite servicio técnico. Además, le solicitamos que nos envíe una nota con su nombre, dirección, número de teléfono, número RA y la descripción del problema.

GARANTÍA LIMITADA POR 5 AÑOS

¡GUARDE EL RECIBO DE VENTA! El recibo es su comprobante de compra y confirma que el producto se compró en un distribuidor de Furman autorizado. Deberá presentarlo en Furman para tramitar cualquier reclamo de garantía.

Furman, una marca de Panamax Inc., garantiza su PL-PRO DMC (el «Producto») de la siguiente forma: Furman le garantiza al comprador original que el producto que se vende conforme a este documento no tendrá defectos en el material ni en la mano de obra por un período de cinco años a partir de la fecha de compra. Si el producto no cumple con esta Garantía limitada durante el período de garantía (como se especifica anteriormente en el presente), el comprador deberá notificar a Furman sobre los defectos reclamados por teléfono al 707-763-1010, o a través de correo electrónico (techsupport@furmansound.com). Si los defectos son del tipo y naturaleza que cubre esta garantía, Furman autorizará al comprador a devolver el producto a la oficina central de Furman. Los reclamos de garantía se DEBERÁN presentar con una copia de la factura o del recibo original de la compra donde figure la fecha de compra. El comprador del producto deberá pagar por adelantado los cargos por el envío a la oficina central de Furman. Furman deberá, por su propia cuenta, proporcionar un producto de reemplazo, o bien, a su entera discreción, reparar el producto defectuoso. Furman pagará los gastos de devolución del producto al comprador. **LA GARANTÍA ANTERIOR SUSTITUYE A TODAS LAS DEMÁS GARANTÍA EXPRESAS O IMPLÍCITAS, QUE INCLUYEN, ENTRE OTRAS, LAS GARANTÍAS IMPLÍCITAS DE COMERCIALIZABILIDAD Y DE APTITUD CON UN FIN ESPECÍFICO.** Furman no garantiza los daños ni defectos que surjan del uso incorrecto o de la manipulación anormal del producto ni los defectos ni daños que surjan de la instalación incorrecta. Furman puede cancelar esta garantía a su entera discreción si el producto se modifica en cualquier forma sin una autorización por escrito de Furman o Panamax Inc. Esta garantía tampoco se aplica a los productos que intentaron reparar o repararon aquellas personas sin una autorización por escrito de Furman o Panamax Inc. **ESTA GARANTÍA ES EXCLUSIVA.** La obligación única y exclusiva de Furman será reparar o reemplazar el producto defectuoso de la manera y durante el período que se establecen anteriormente. Furman no tendrá ninguna otra obligación con respecto a los productos ni a cualquiera de sus partes, ya sea por contrato, extracontractualmente, responsabilidad estricta o de otra naturaleza. Bajo ningún concepto, ya sea según en esta Garantía limitada o de otra naturaleza, Furman será responsable por los daños incidentales, especiales o consecuentes. Esta Garantía limitada establece la obligación total que tiene Furman con respecto al producto. Si se determina que alguna parte de esta Garantía limitada es nula o ilegal, el resto permanecerá vigente.

ESPECIFICACIONES

CAPACIDAD DE CORRIENTE:

20 amperios

VOLTAJE DE FUNCIONAMIENTO:

de 90 a 139 V CA

INTERRUPCIÓN DE SOBRECARGA:

generalmente, 140 V CA

MODOS DE PROTECCIÓN CONTRA PICOS DE VOLTAJE:

línea a neutro, cero fuga de conexión a tierra

PICO DE VOLTAJE DE SUJECCIÓN:

pico de 188 V CA a 3000 amperios, 133 V CA RMS

TIEMPO DE RESPUESTA:

1 nanosegundo

CORRIENTE DE SOBRETENSIÓN MÁXIMA:

6.500 amperios

ATENUACIÓN DE RUIDO:

10 dB a 10 kHz, 40 dB a 100 kHz, 50 dB a 500 kHz
 Curva de atenuación lineal de impedancia de línea de 0,05 a 100 ohmios

DIMENSIONES:

1,75" (4,44 cm) de alto x 19" (48,26 cm) de ancho x 10,5" (26,67 cm) de profundidad.

PESO :

12 libras (5.5 kg)

CONSTRUCCIÓN:

Chasis de acero, panel delantero de aluminio anodizado cepillado y negro de 0,120" (0,32 cm); placas de circuito impreso con vidrio epoxi.

CONSUMO DE ENERGÍA:

(Aprox. 15 VA)

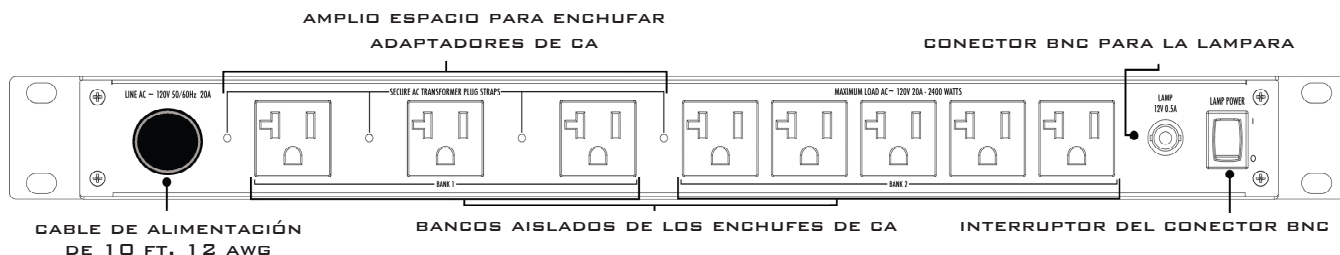
LISTADO DE LA AGENCIA DE LA SEGURIDAD:

TUV

PL-PRO DMC PANEL DELANTERO



PL-PRO DMC PANEL POSTERIOR



Notes: 

Notes: 

FURMAN[®]

1690 Corporate Circle • Petaluma, California, USA 94954

Phone: 877-486-4738 • Fax: 707-763-1310

www.FurmanSound.com